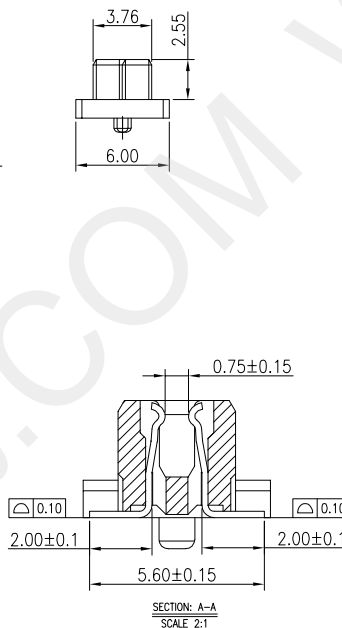


RECOMMENDED P.C.BOARD LAYOUT



NO.of contacts	Dimensions					
	A	B	C	D	E	F
40	21.80	15.20	17.60	20.20	18.80	20.15
50	25.80	19.20	21.60	24.20	22.80	24.15
60	29.80	23.20	25.60	28.20	26.80	28.15
80	37.80	31.20	33.60	36.20	34.80	36.15
100	45.80	39.20	41.60	44.20	42.80	44.15
120	53.80	47.20	49.60	52.20	50.80	52.15
140	61.80	55.20	57.60	60.20	58.80	60.15
160	69.80	63.20	65.60	68.20	66.80	68.15
180	77.80	71.20	73.60	76.20	74.80	76.15
200	85.80	79.20	81.60	84.20	82.80	84.15

NOTES:

- HUOSING: LCP HIGH-TEMP THERMOPLASTIC UL94V-0 COLOR:BEIGE
- TERMINAL:PHOSPHOR BRONZE



深圳市华宇创精密电子有限公司

TOLERANCE:

X.X ±0.30
X.XX ±0.25
X.XXX ±0.15
X.' ±2' X.X' ±0.5'

UNIT: mm [inch]

SCALE:1:1 SIZE: A4

DRAWN BY :
陈一鸣

DATE :
2014-02-23

PART NAME:0.8PH BTB CONNECTOR
SOCKET ASSEMBLY 5.0H TYPE

CHECKED BY:
马跃

DATE :
2014-02-23

PART NO. HYC50F-BTB2XN-375

APPROVED BY:
邱敏

DATE :
2014-02-23

MOLD NO.

DRAW NO: HYC-2410081216

SHEET NO. 1 OF 1